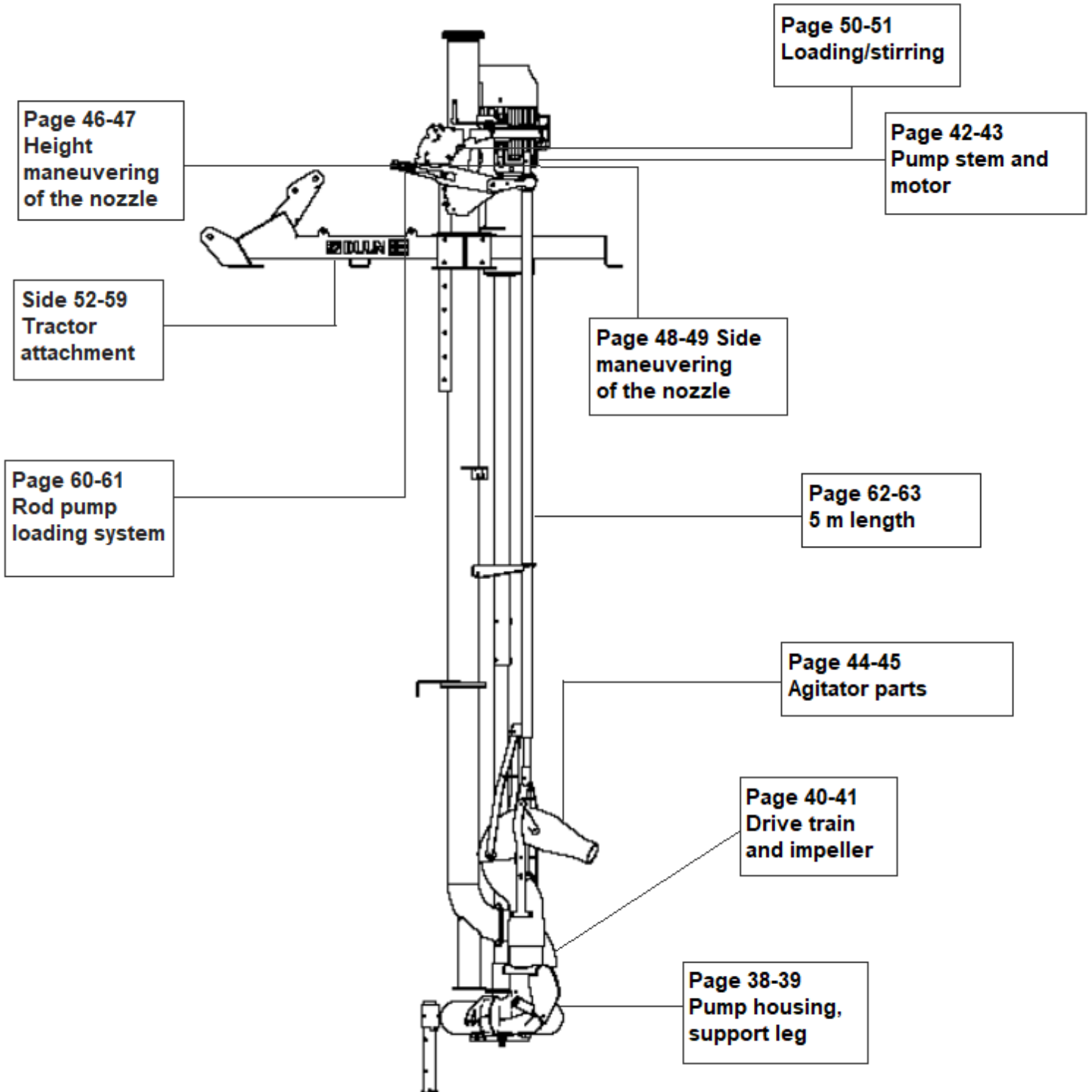




Spare parts catalogue

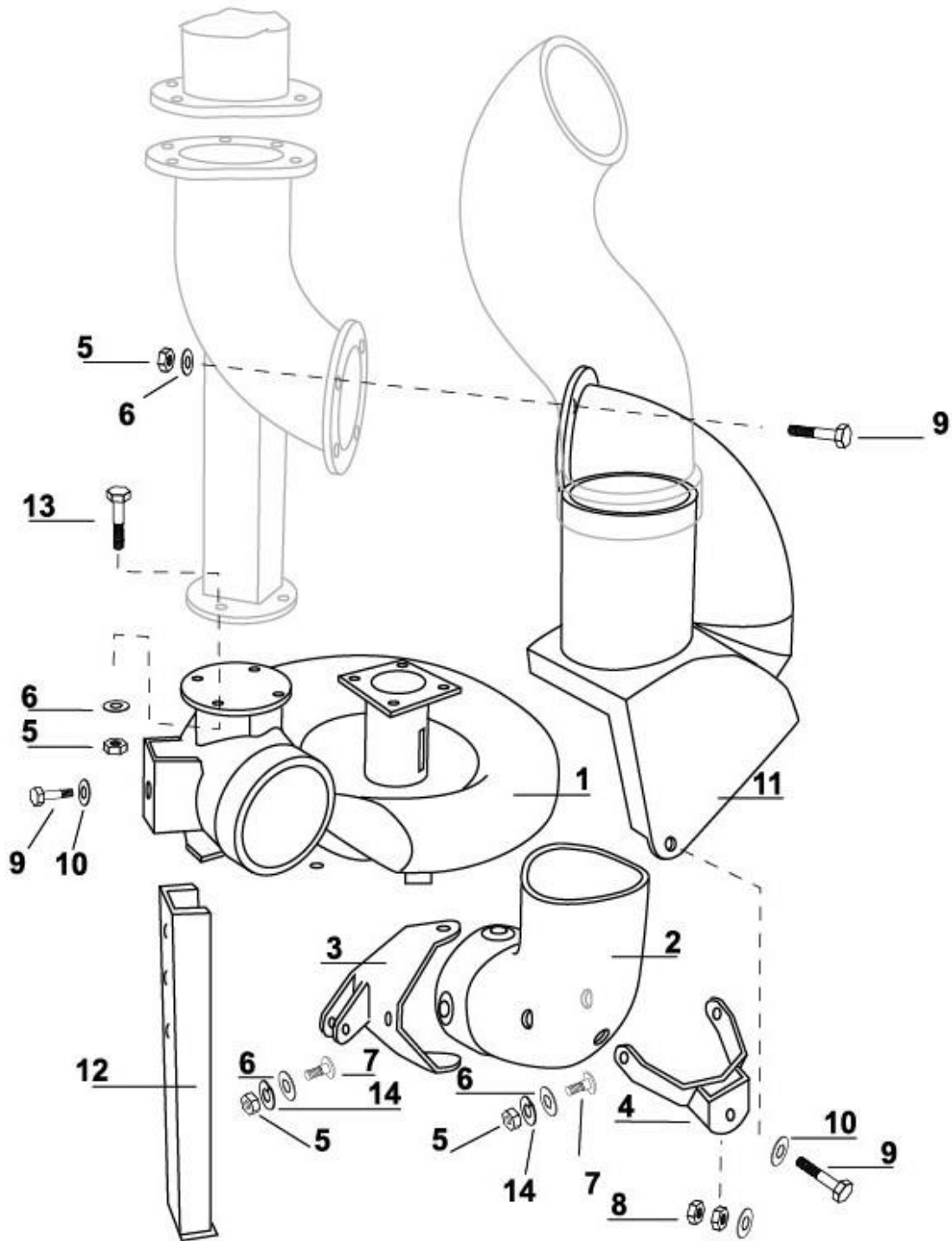
DUUN

Slurry pump SP200EL





Pump housing, support leg





Spare parts catalogue

DUUN

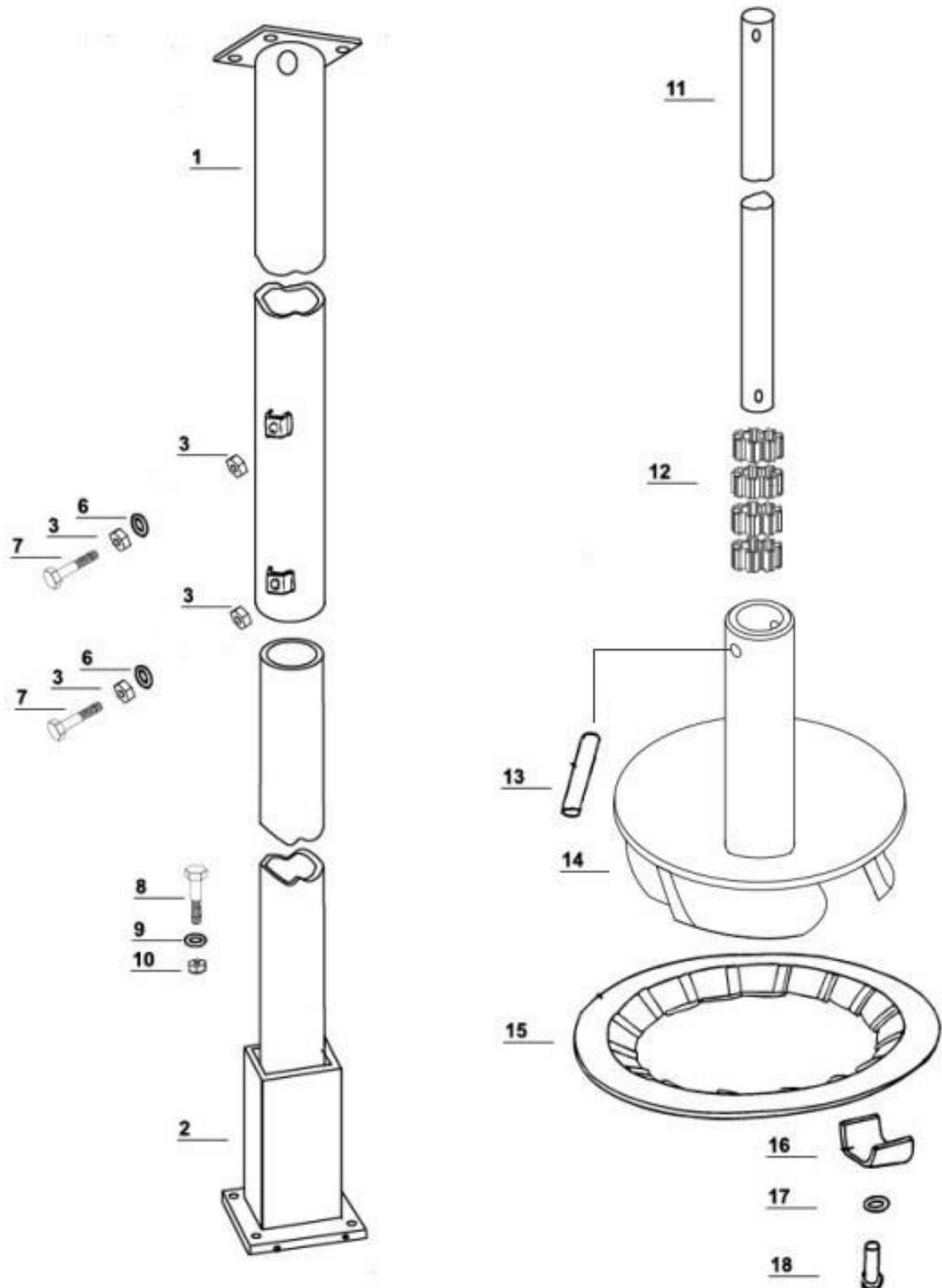
Slurry pump SP200EL

Pump housing, support leg

Pos.	Qty.	Designation	Article no.
1	1	Pump housing	31231030
2	1	Outlet bend	2245092
3	1	Attachment for struts, stirring/loading	31231070
4	1	Rotation attachment for bend	31231074
5	10	Nut M10 hot galvanized	2281810
6	10	Washer M10 hot galvanized	2539060
7	6	Locking head screw M10x30	2444312
8	2	Nut M 16 hot galvanized	2481811
9	2	Hex screw M12x35 hot galvanized	2427350
10	3	Washer M12 hot galvanized	2539069
11	1	Shift box	31231036
12	1	Support leg	31181003
13	8	Hex screw M12x30 hot galvanized	2427299
14	6	Spring washer M10 hot galvanized	2539000



Drive train and impeller





Spare parts catalogue

DUUN

Slurry pump SP200EL

Drive train and impeller

Pos.	Qty.	Designation	Article no.
1	1	Upper cover pipe for shaft	31181007
2	1	Lower cover tube for shaft	31181008
3	4	Hexagon nut M10 acid ref.	2489410
6	2	Washer M10 acid ref.	2537060
7	2	Hex screw M10x40 acid ref.	2429303
8	4	Hex screw M10x30 hot galvanized	2427299
9	4	Washer M10 hot galvanized	2539060
10	4	Hex nut M10 hot galvanized	2481810
11	1	Drive shaft Ø40 L- 3,0 m	31231071
		Drive shaft Ø40 L- 3,5m	31231072
		Drive shaft Ø40 L- 4,0 m	31231073
		Drive shaft Ø40 L- 5,0 m	31301039
12	4	Bearing for impeller	2245028
13	1	Break pin Ø12x60	2527124
14	1	Impeller	31301031
15	1	Cutting ring	31231031
16	4	Clamp iron	31191004
17	4	Washer M12 hot galvanized	2539069
18	4	Hexagon screw M12x35 hot galvanized	2427350

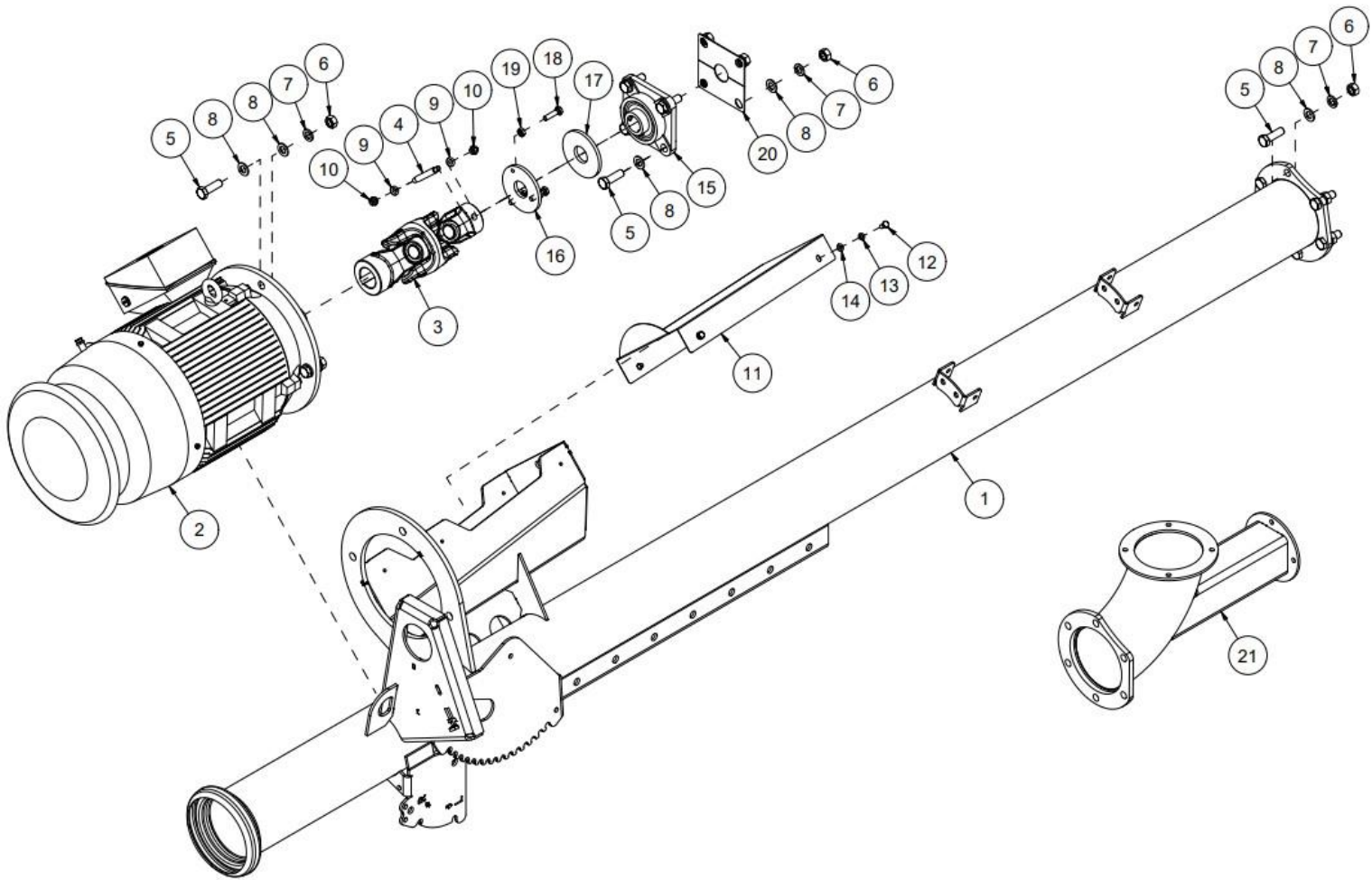


Spare parts catalogue

DUUN

Slurry pump SP200EL

Pump stem and motor





Spare parts catalogue

DUUN

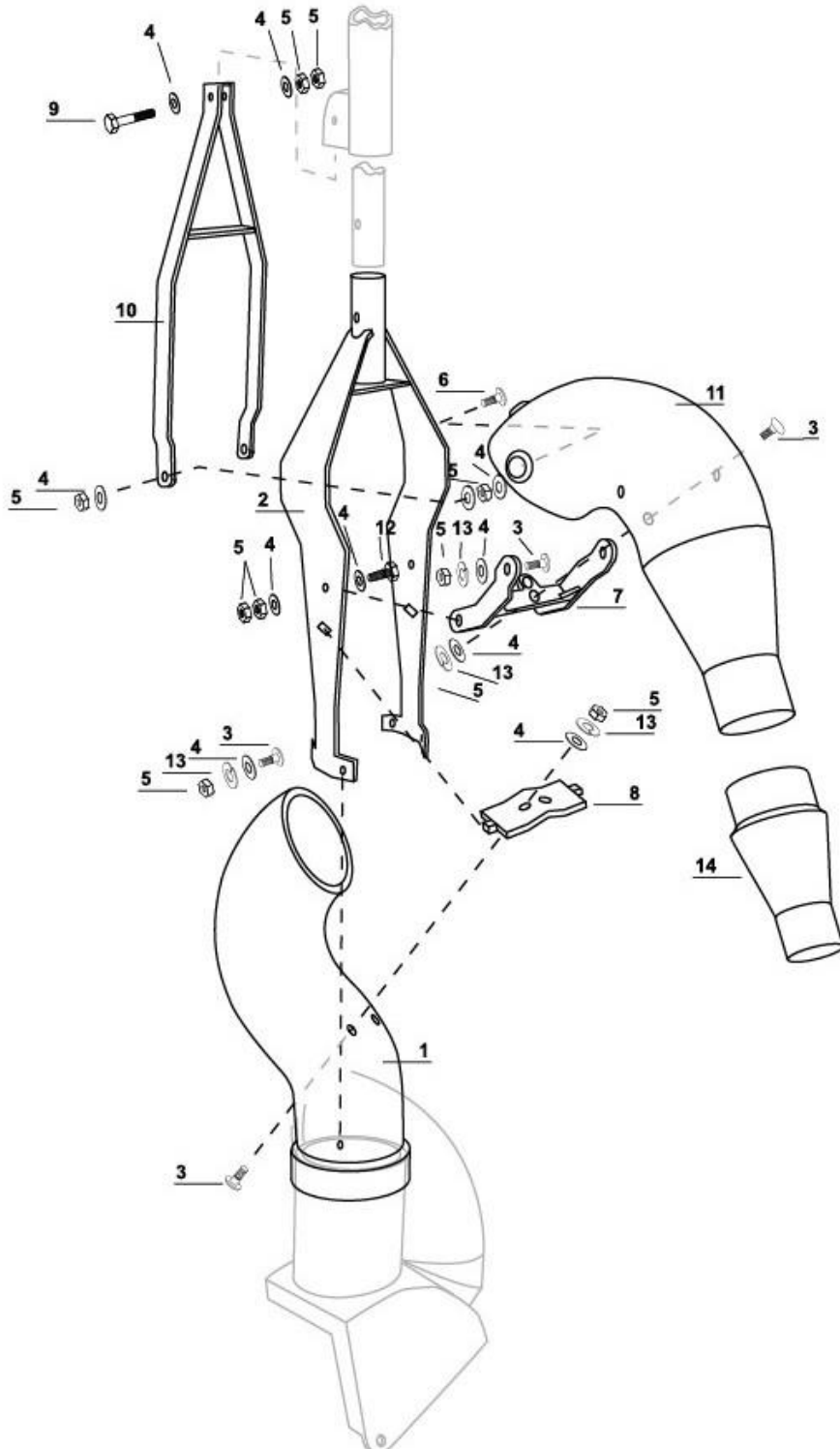
Slurry pump SP200EL

Pump stem and motor

Pos.	Qty.	Designation	Article no.
1	1	Pump stem P2000EL	31301001
2	1	Electric Motor 18,5kw230/4000V	4257118
3	1	Double joint 120 Ø48x13/8	2962170
4	1	Splinter ø12,9	31301048
5	14	Hexagon screw M16x50 VZn 8.9 DIN931	2427493
6	14	Hexagon nut M16 VZn DIN 934	2481813
7	14	Spring washer M16 VZn DIN 127	2539006
8	22	Washer M16 VZn DIN 125	2539078
9	2	Washer M10 EIZn DIN 125	2531060
10	2	Locking nut M10 EIZn DIN 985	2483610
11	1	Cover	31301002
12	4	Hexagon screw M8x16 VZn 8.8 DIN 933	2427240
13	4	Spring washer M8 VZn DIN 127	2536047
14	4	Washer M8 VZn DIN 125	2539048
15	1	Flange bearing UCF 308 40mm	2954162
16	1	Plate for adjustment	31201014
17	1	Plate against flange bearing	31201015
18	3	Hexagon screw M10x40 VZn 8.8 DIN 933	2427303
19	3	Hexagon nut M10 VZn DIN 934	2481810
20	2	Anti-glare plate	31181052
21	1	Lower loading pipe L-3,0m	31231037
	1	Lower loading pipe L-3,5m	31231038
	1	Lower loading pipe L-4,0 m	31231039



Agitator parts





Spare parts catalogue

DUUN

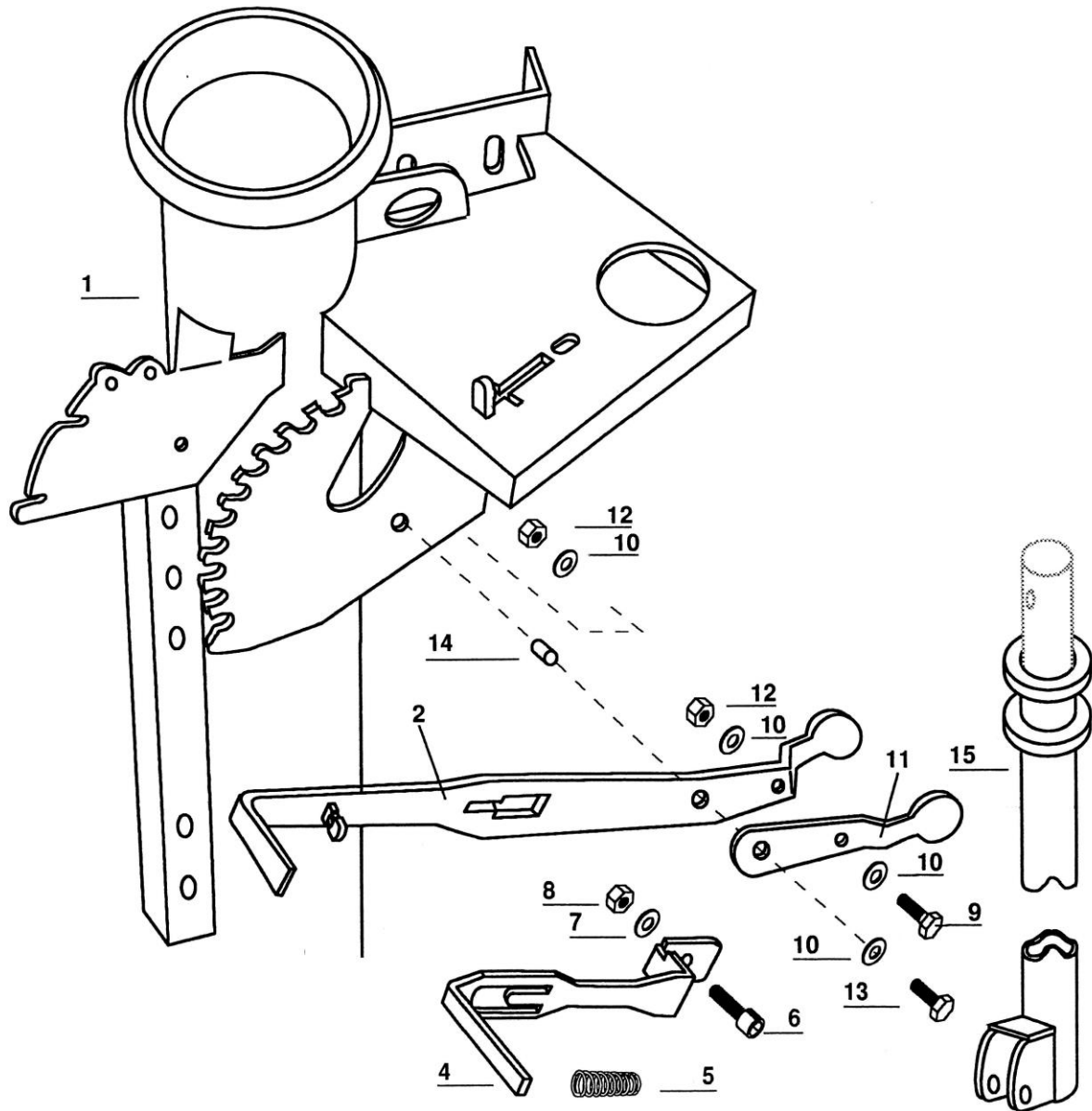
Slurry pump SP200EL

Agitator parts

Pos.	Qty.	Designation	Article no.
1	1	The lower stirring tube	2245090
2	1	Operating part, rotation	31231055
3	9	Locking head screw M 10x30 hot galvanized	2444312
4	21	Washer M 10 hot galvanized	2539060
5	19	Hexagon nut M 10 hot galvanized	2481810
6	2	Locking head screw M 10x45 hot galvanized	2444315
7	1	Attachment for nozzle bend	31231056
8	1	Bracing	31231080
9	1	Hexagon screw M10x70 hot galvanized	2427312
10	1	Height adjustment fork	31231057
11	1	Nozzle bend	2245091
12	2	Hexagon screw M10x35 hot galvanized	2427301
13	9	Spring washer M10 hot galvanized	2539000
14	1	Nozzle Ø75 w/screws	2245093



Height maneuvering of the nozzle





Spare parts catalogue

DUUN

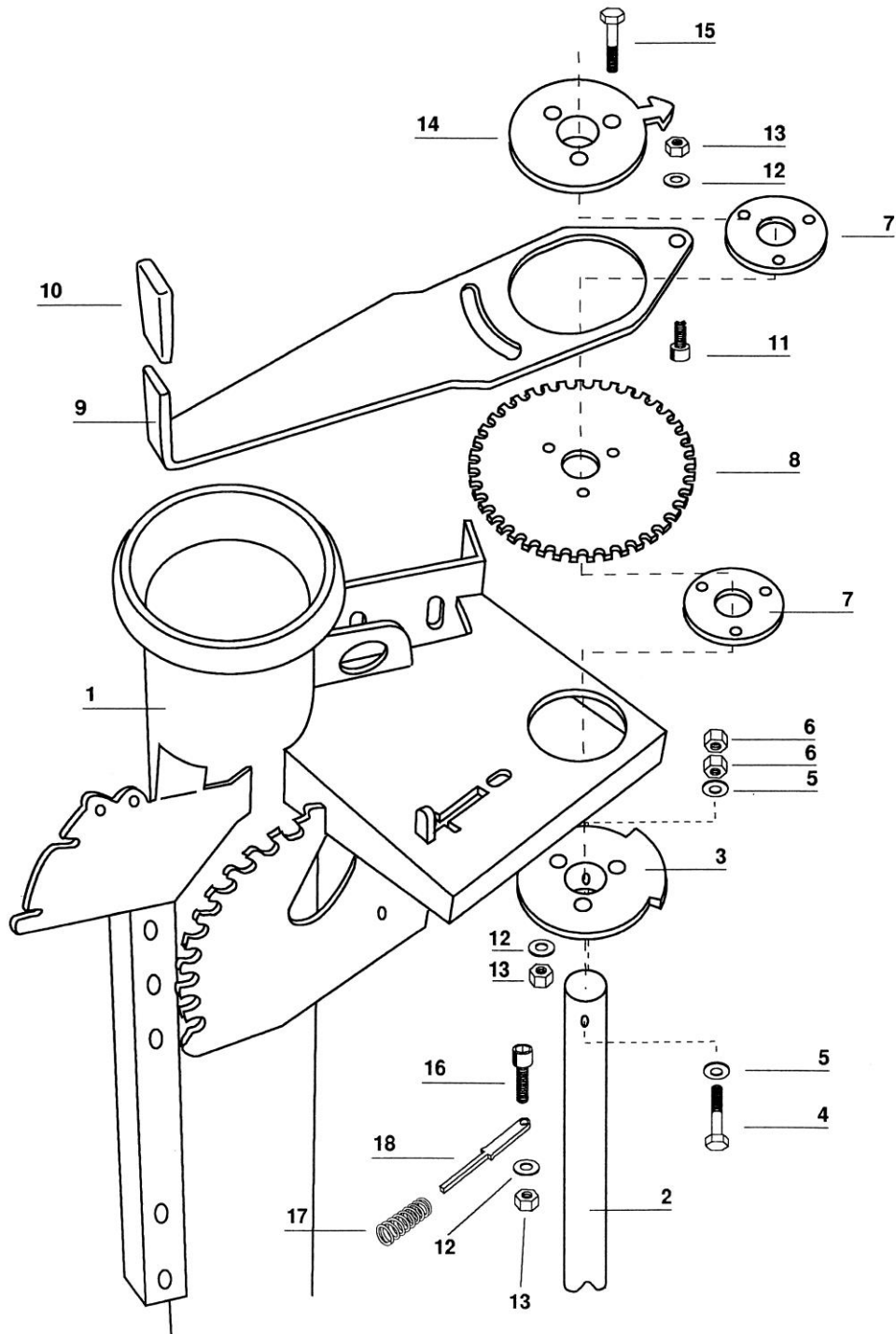
Slurry pump SP200EL

Height maneuvering of the nozzle

Pos.	Qty.	Designation	Article no.
1	1	Pump stem SL200EL	31301001
2	1	Handle, height man. of nozzle	31231053
4	1	Locking handle	31231054
5	1	Spring pressure Ø15x1,75 L:45	2912014
6	1	Unbrako M 8x16, galvanized	2472310
7	1	Washer M8 hot galvanized	2539048
8	1	Hexagon nut M8 galvanized	2483609
9	1	Hexagon screw M10x30 hot galvanized	2427299
10	1	Washer M10 hot galvanized	2539060
11	1	Part for operating fork	31231052
12	2	Hexagon nut M10 lock. galvanized	2483610
13	1	Hexagon screw M10x35 hot galvanized	2428310
14	1	Bushing	31181080
15	1	Tube for height regulation L-3,0	31231049
	1	Tube for height regulation L-3,5	31231050
	1	Tube for height regulation L-4,0	31231051
	1	O-ring, included in pump	2957104



Side maneuvering of the nozzle





Spare parts catalogue

DUUN

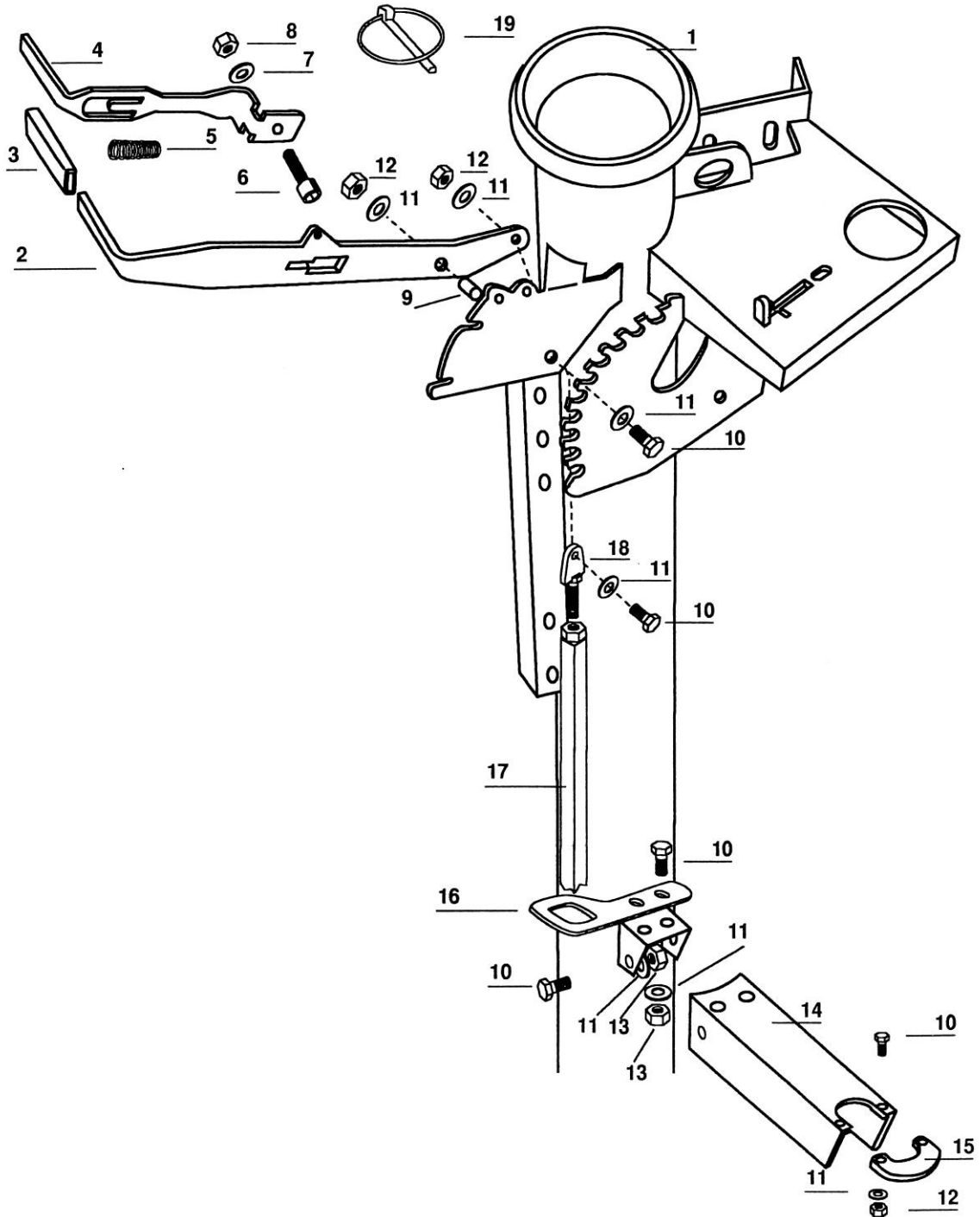
Slurry pump SP200EL

Side maneuvering of the nozzle

Pos.	Qty.	Designation	Article no.
1	1	Pump stem SP200EL	31301001
2	1	Strut for rotation L-3,0	31231046
	1	Strut for rotation L-3,5	31231047
	1	Strut for rotation L-4,0	31231048
3	1	Rotation attachment for strut	31231040
4	1	Hexagon screw M10x70 hot galvanized	2427312
5	2	Washer M10 hot galvanized	2539060
6	2	Hexagon nut M10 hot galvanized	2481810
7	2	Spacer plate	31231043
8	1	Cog wheel	31231044
9	1	Handle for regulating rotation	31231041
10	1	Plastic handle	2245062
11	1	Unbrako M 8x16, galvanized	2472310
12	5	Washer M8 hot galvanized	2539048
13	5	Hexagon nut M8 lock. galvanized	2483609
14	1	Direction indicator rotation	31231042
15	3	Hexagon screw M8x50 hot galvanized	2427256
16	1	Unbrako M 8x25, galvanized	2472315
17	1	Spring pressure Ø15x1,75 L:45	2912014
18	1	Lock pin rotation	31231045
	1	O-ring, included in pump	2957104



Loading/stirring





Spare parts catalogue

DUUN

Slurry pump SP200EL

Loading/stirring

Pos.	Qty.	Designation	Article no.
1	1	Pump stem SP200EL	31301001
2	1	Handle, loading/ stirring	31231075
3	1	Plastic handle	2245062
4	1	Locking handle	31231054
5	1	Spring pressure Ø15x1,75 L:45	2912014
6	1	Unbrako M 8x16, galv.	2472310
7	1	Washer M8 hot galvanized	2539048
8	1	Hexagon nut M8 lock. galvanized	2483609
9	1	Bushing	31181080
10	1	Hexagon screw M10x30 hot galv.	2427299
11	10	Washer M10 hot galvanized	2539060
12	2	Hexagon nut M10 lock. galvanized	2483610
13	6	Hexagon nut M10 hot galvanized	2481810
14	1	Support for strut (L- 3,4 og L-4,4)	31231083
15	1	Locking plate for strut	31231081
16	1	Steering for strut	31231082
17	1	Strut, loading/stirring L-3,0	31231059
	1	Strut, loading/stirring L-3,5	31231060
	1	Strut, loading/stirring L-4,0	31231061
18	1	Adjustment screw for strut	31271025
19	1	Locking pin w/ chain, 10x45	2556127
	1	O-ring, included in pump	2957104

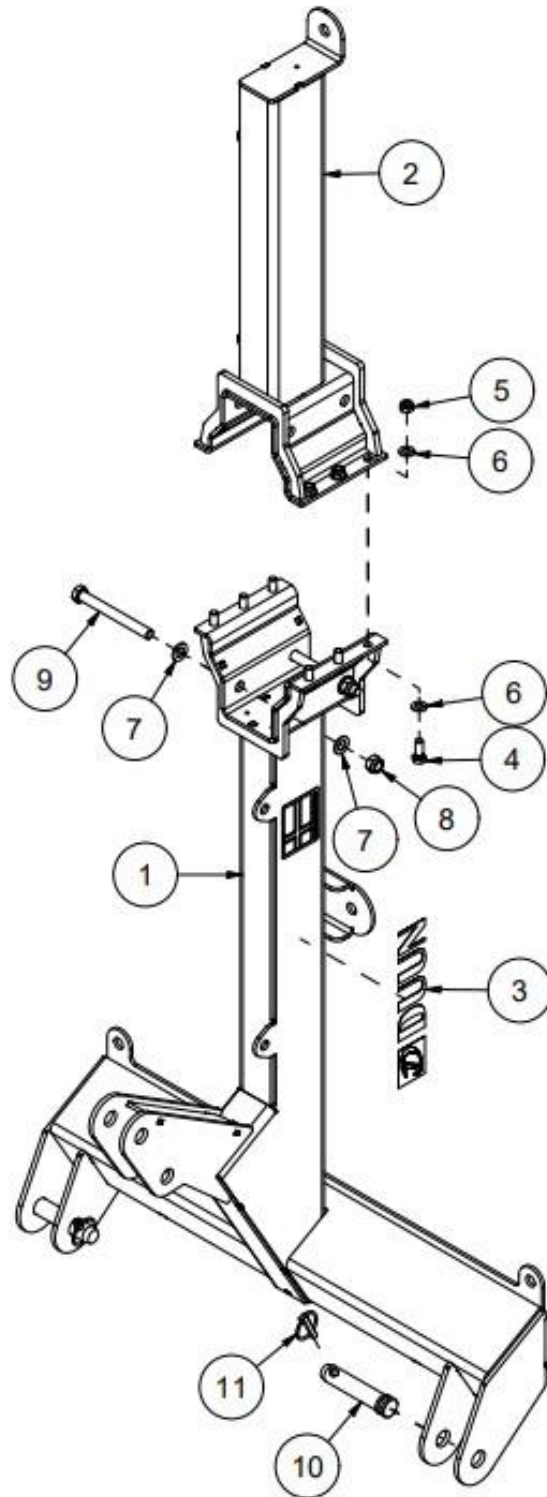


Spare parts catalogue

DUUN

Slurry pump SP200EL

Tractor attachment





Spare parts catalogue

DUUN

Slurry pump SP200EL

Tractor attachment

Pos.	Qty.	Article no.	Designation
1	1	31271022	Three-point linkage SP200, Rod
2	1	31271023	Support arm SP200
3	2	2935071	Adhesive label Duun H60
4	6	2422348	Hexagon screw M12x30 EIZn 8.8 DIN 933
5	6	2483611	Locking nut M12 EIZn DIN 985
6	12	2531069	Washer M12 EIZn DIN 125
7	4	2531078	Washer M16 EIZn DIN 125
8	2	2482613	Locking nut M16x1,5 EIZn DIN 985
9	2	2422507	Hexagon screw M16x150 EIZn 8.8 DIN 931
10	2	2551730	Drawbar bolt cat. 2 Ø28x95
11	2	2556142	Linch pin Ø10x40

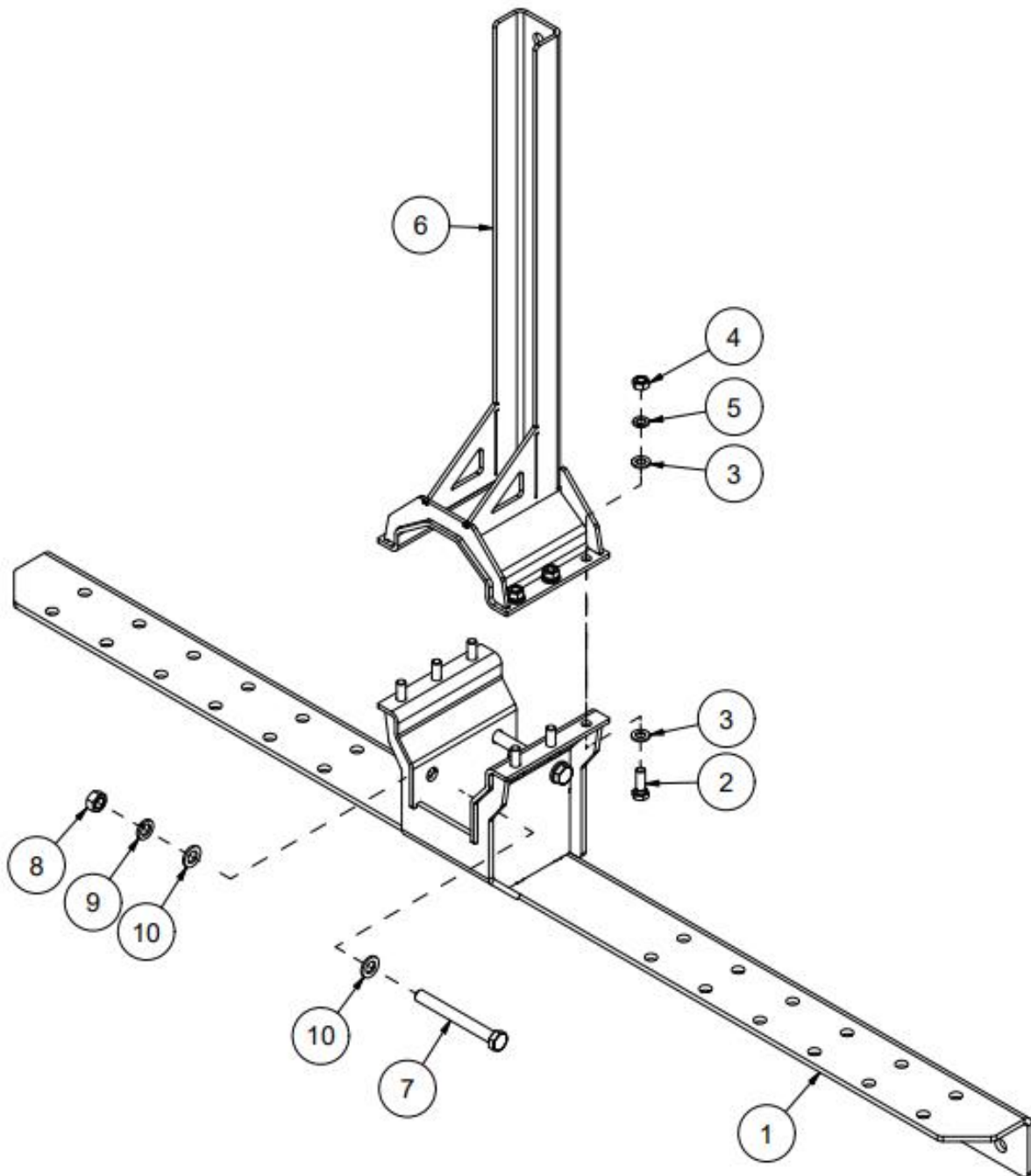


Spare parts catalogue

DUUN

Slurry pump SP200EL

Shaft mounting rod pump





Spare parts catalogue

DUUN

Slurry pump SP200EL

Shaft mounting rod pump

Pos.	Qty.	Article no.	Designation
1	1	31301007	Mounting frame
2	6	2427350	Hexagon screw M12x35 VZn 8.8 DIN 933
3	12	2539069	Washer M12 VZn DIN 125
4	6	2481811	Hexagon nut M12 VZn DIN 934
5	6	2536069	Spring washer M12 VZn DIN 127
6	1	31301029	Support arm
7	2	2427506	Hexagon screw M16x140 VZn 8.8 DIN 931
8	2	2481813	Hexagon nut M16 VZn DIN 934
9	2	2539006	Spring washer M16 VZn DIN 127
10	4	2539078	Washer M16 VZn DIN 125

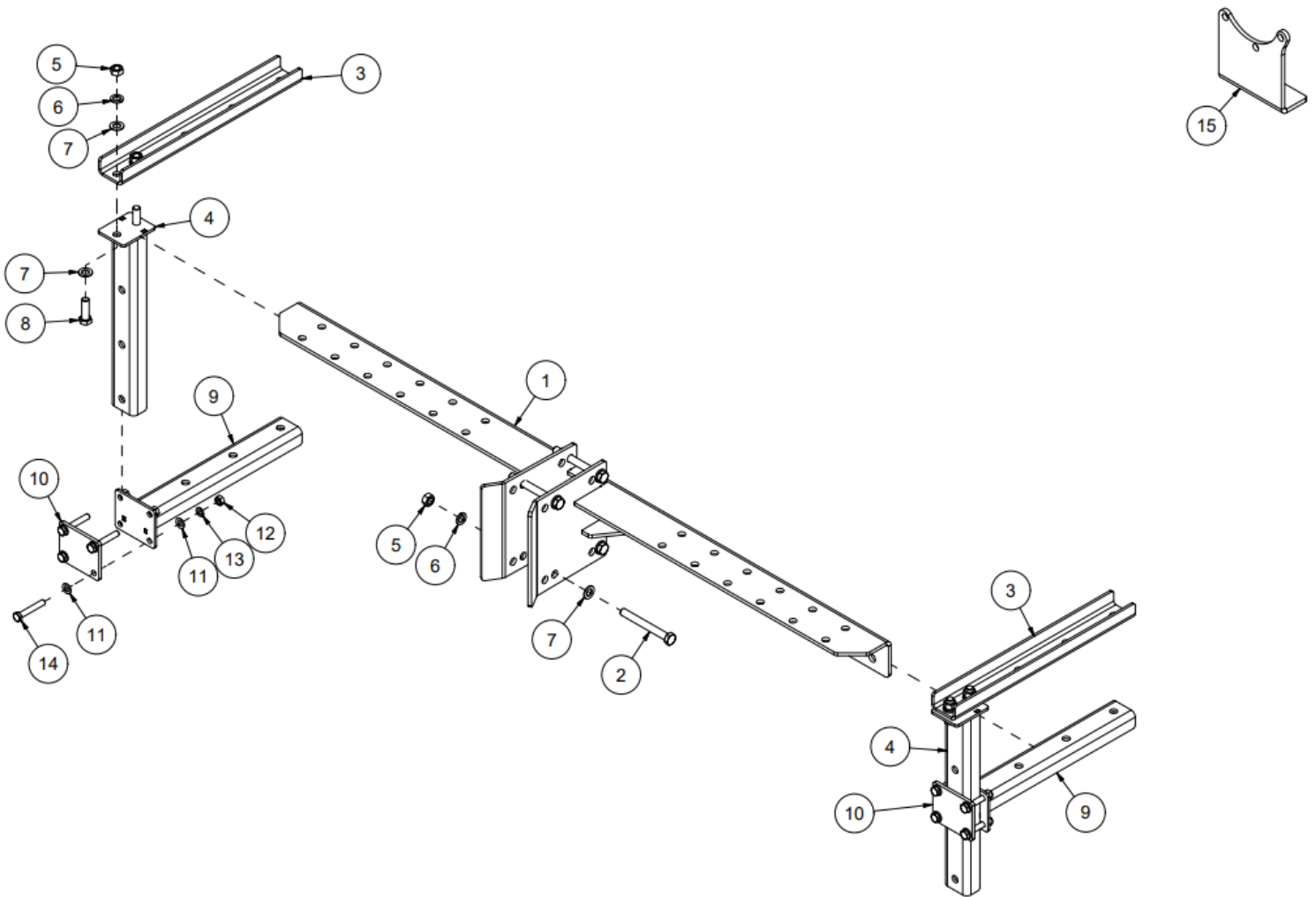


Spare parts catalogue

DUUN

Slurry pump SP200EL

Cob attachment for three point linkage





Spare parts catalogue

DUUN

Slurry pump SP200EL

Cob attachment for three point linkage

Pos.	Qty.	Article no.	Designation
1	1	31301018	Cob attachment for three point linkage
2	4	2427506	Hexagon screw M16x140 VZn 8.8 DIN 931
3	2	31301008	Fastening
4	2	31301010	Fastening
5	8	2481813	Hexagon nut M16 VZn DIN 934
6	8	2539006	Spring washer M16 VZn DIN 127
7	16	2539078	Washer M16 VZn DIN 125
8	4	2427493	Hexagon screw M16x50 VZn 8.9 DIN931
9	2	31301009	Fastening
10	2	31301011	Plate
11	16	2539069	Washer M12 VZn DIN 125
12	8	2481811	Hexagon nut M12 VZn DIN 934
13	8	2536069	Spring washer M12 VZn DIN 127
14	8	2427362	Hexagon screw M12x75 VZn 8.8 DIN 931
15	1	31301013	Support leg

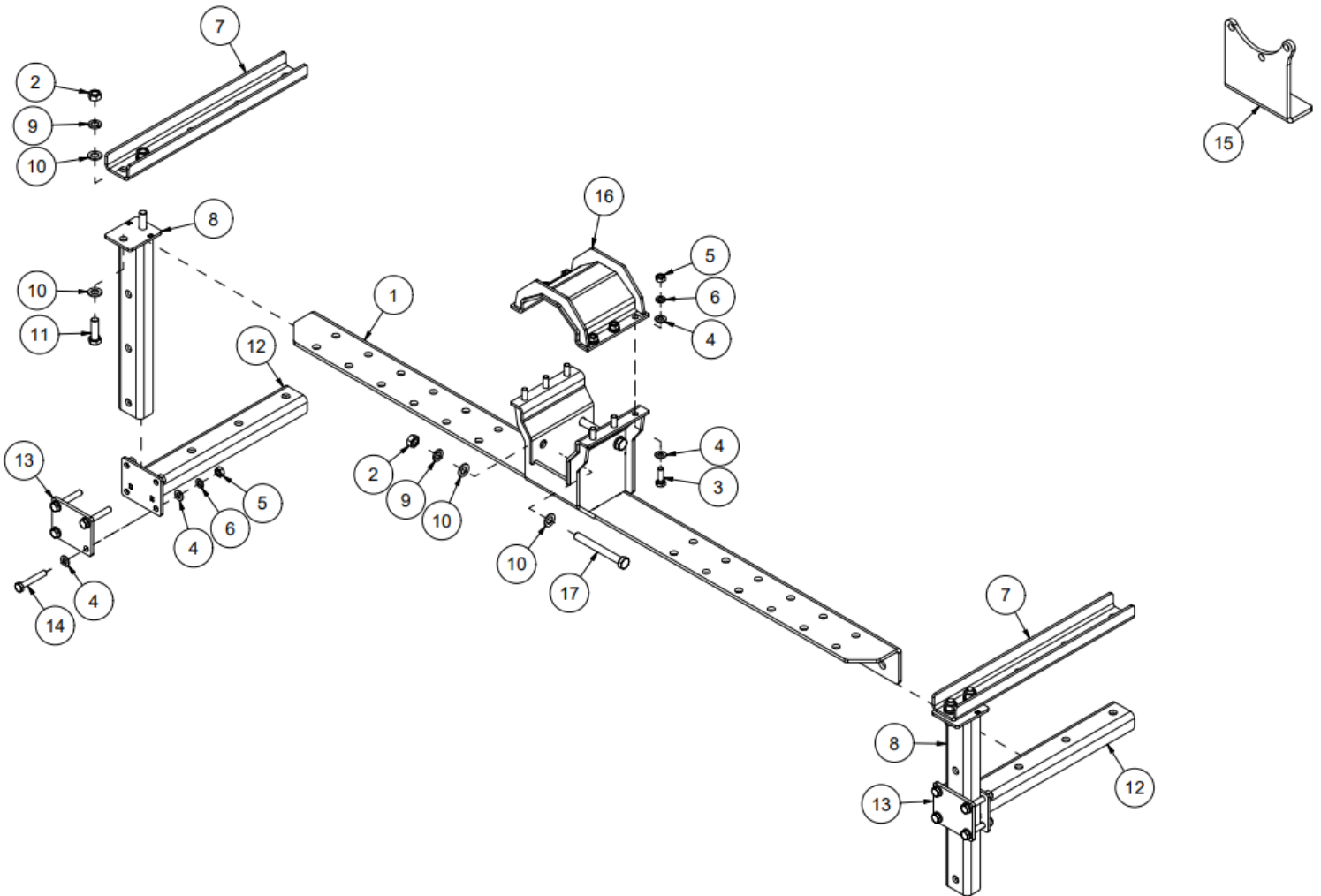


Spare parts catalogue

DUUN

Slurry pump SP200EL

Edge-mounted sump rod pump





Spare parts catalogue

DUUN

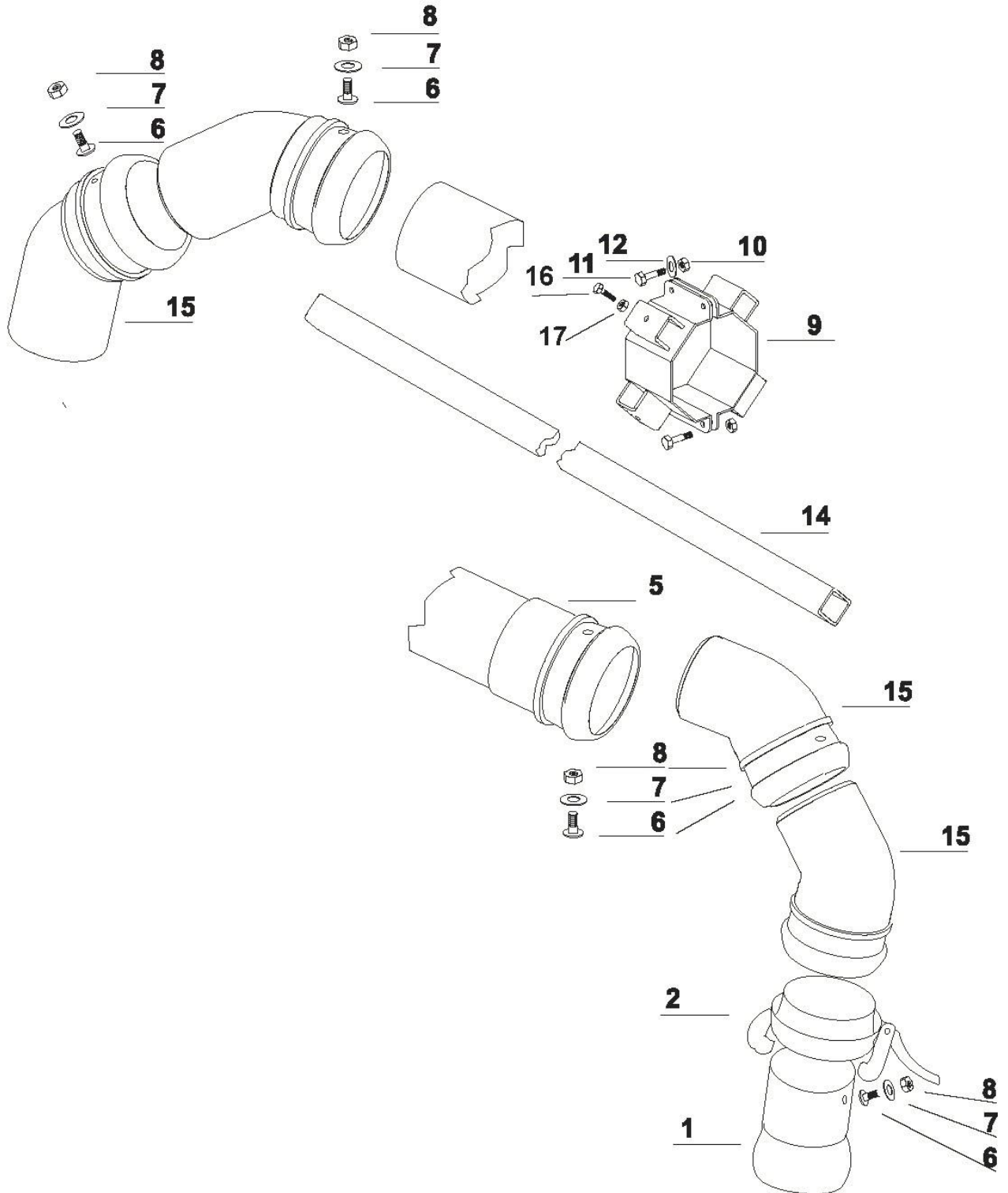
Slurry pump SP200EL

Edge-mounted sump rod pump

Pos.	Qty.	Article no.	Designation
1	1	31301007	Fastening
2	6	2481813	Hexagon nut M16 VZn DIN 934
3	6	2427350	Hexagon screw M12x35 VZn 8.8 DIN 933
4	28	2539069	Washer M12 VZn DIN 125
5	14	2481811	Hexagon nut M12 VZn DIN 934
6	14	2536069	Spring washer M12 VZn DIN 127
7	2	31301008	Fastening
8	2	31301010	Fastening
9	6	2539006	Spring washer M16 VZn DIN 127
10	12	2539078	Washer M16 VZn DIN 125
11	4	2427493	Hexagon screw M16x50 VZn 8.9 DIN931
12	2	31301009	Fastening
13	2	31301011	Plate
14	8	2427362	Hexagon screw M12x75 VZn 8.8 DIN 931
15	1	31301013	Support leg
16	1	31301028	Clamp
17	2	2427506	Hexagon screw M16x140 VZn 8.8 DIN 93



Rod pump loading system





Spare parts catalogue

DUUN

Slurry pump SP200EL

Rod pump loading system

Pos.	Qty.	Designation	Article no.
1	1	Bauer coupling 6" male w/tube socket, \varnothing 159	2957105
2	1	Clamping ring for bauer connection 6 "	2957109
5	1	Plastic tube PP 6 "w/ sleeve L: 4m	2244216
6	5	Locking head screw M8x25	2441246
7	5	Washer M8 hot galvanized	2539048
8	5	Hexagon nut M8 hot galvanized	2481809
9	2	Loading tube rack	31201026
10	4	Locking nut M8 galvanized	2483609
11	4	Hexagon screw M8x25 hot galvanized	2427246
12	4	Washer M8 hot galvanized	2539048
13	4	Hexagon nut M8 hot galvanized	2481809
14	2	Support legs for rack L: 3m	31181099
15	4	Plastic bend PP 45'	2245080
16	2	Hexagon screw M12x35 hot galvanized.8.8	2427350
17	2	Nut 6kt m12 hot galvanized.8.8	2481811

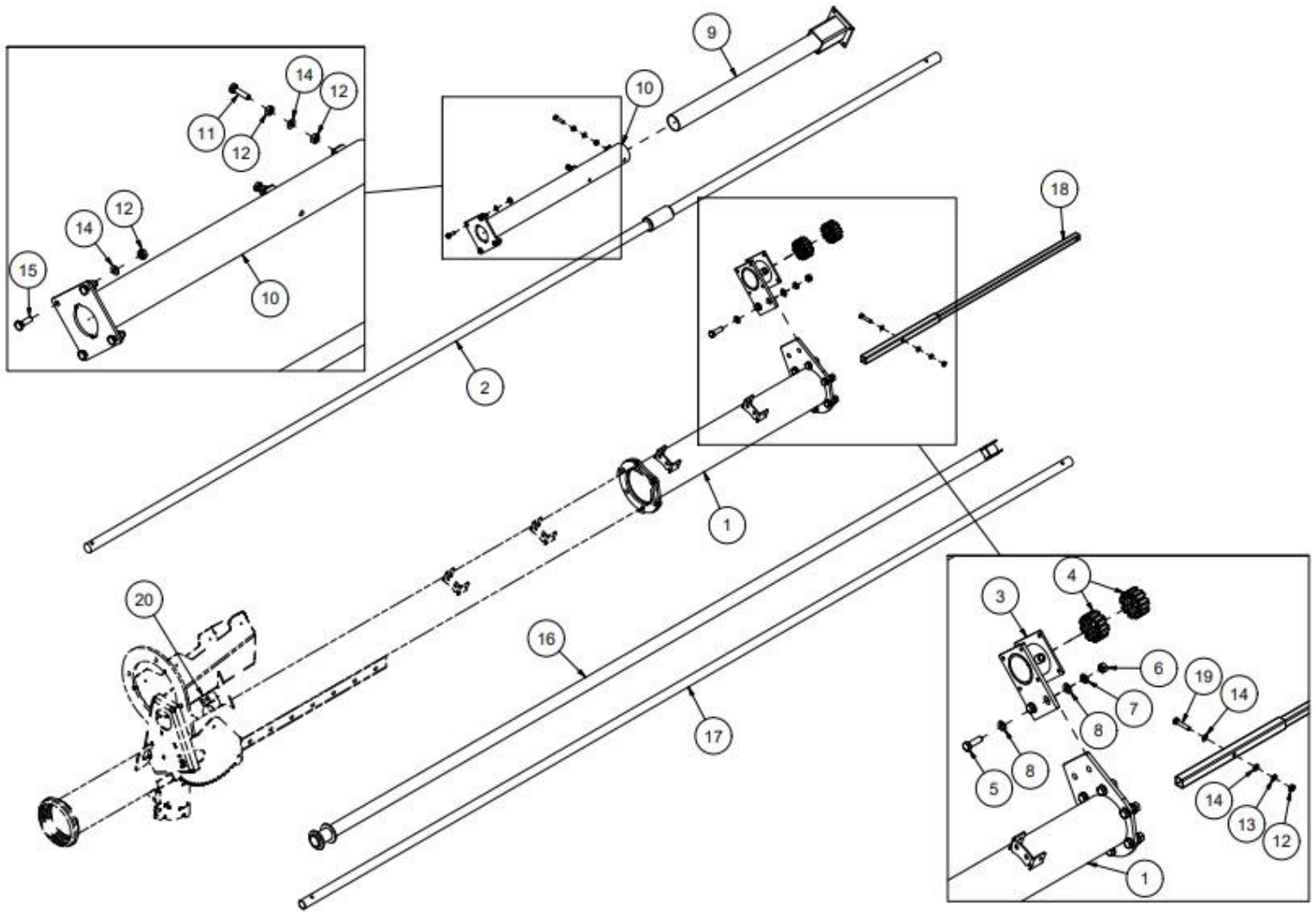


Spare parts catalogue

DUUN

Slurry pump SP200EL

5 m length





Spare parts catalogue

DUUN

Slurry pump SP200EL

5 m length

Pos.	Qty.	Designation	Article no.
1	1	Middle piece of cargo tube L1,0m	31301032
2	1	Drive shaft Ø40L 5,0m	31301039
3	1	Middle bearing holder	31301037
4	2	Bearing	2245028
5	8	Hexagon screw M16x50 VZn 8.9 DIN931	2427493
6	8	Hexagon nut M16 VZn DIN 934	2481813
7	8	Spring washer M16 VZn DIN 127	2539006
8	16	Washer M16 VZn DIN 125	2539078
9	1	Lower cover tube for shaft 5,5 m pump	31301040
10	1	Upper cover tube for shaft 5,5 m pump	31301041
11	2	Hexagon screw M10x40 VZn 8.8 DIN 933	2427303
12	9	Hexagon nut M10 VZn DIN 934	2481810
13	5	Spring washer M10 VZn DIN 127	2539000
14	8	Washer M10 VZn DIN 125	2539060
15	4	Hexagon screw M10x30 VZn 8.8 DIN 933	2427299
16	1	Tube for height adjustment L5,0 m	31301034
17	1	Strut for rotation L-5,0 m	31301035
18	1	Extends stag load stirring L1,0 m	31301036
19	1	Hexagon screw M10x50 VZn 8.8 DIN 933	2427307
20	1	Bracket	31301042